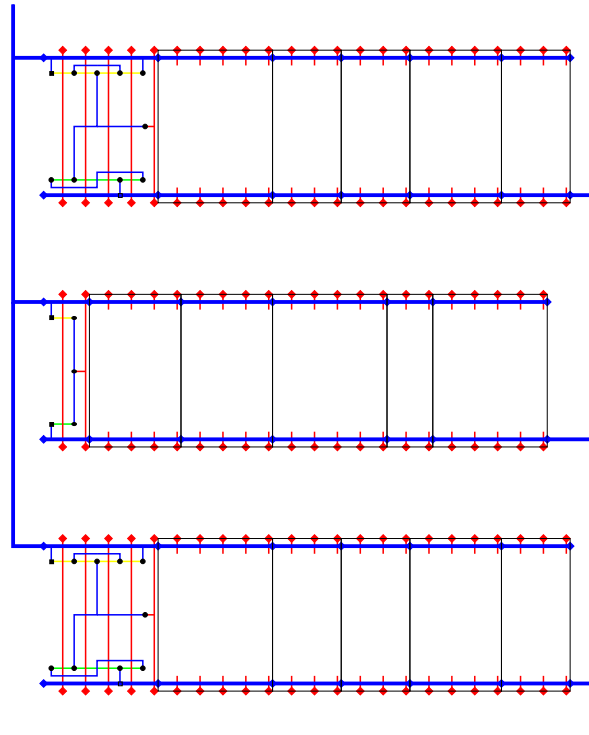


Placement & Routing

Inter-Digitated Power and Ground

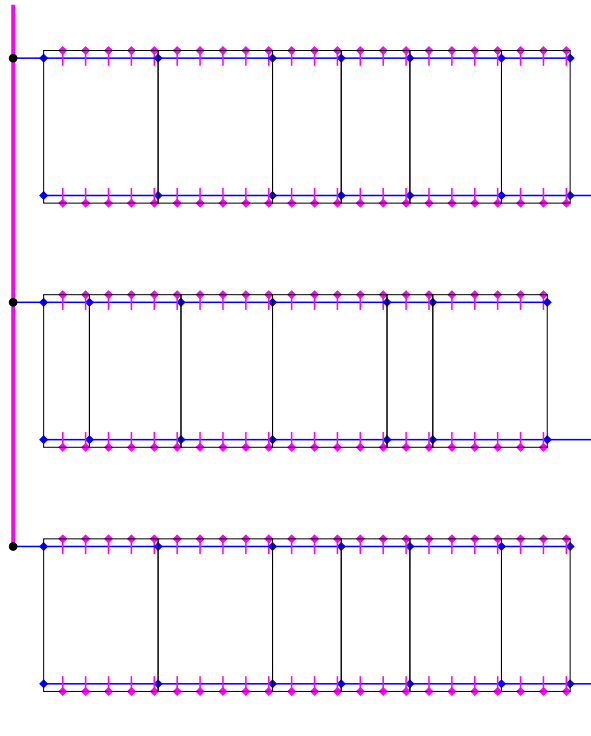


Inter-digitated power and ground rails can be routed using only one metal layer.¹

¹note – poly may not be used in power routing - see latch-up rules

Placement & Routing

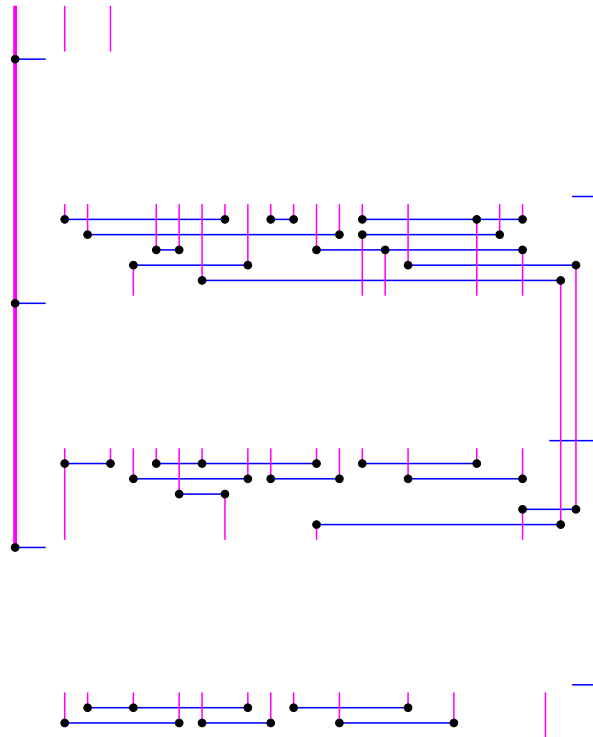
Routing



In the routing channels between the cells we route metal1 horizontally and metal2 vertically.

Placement & Routing

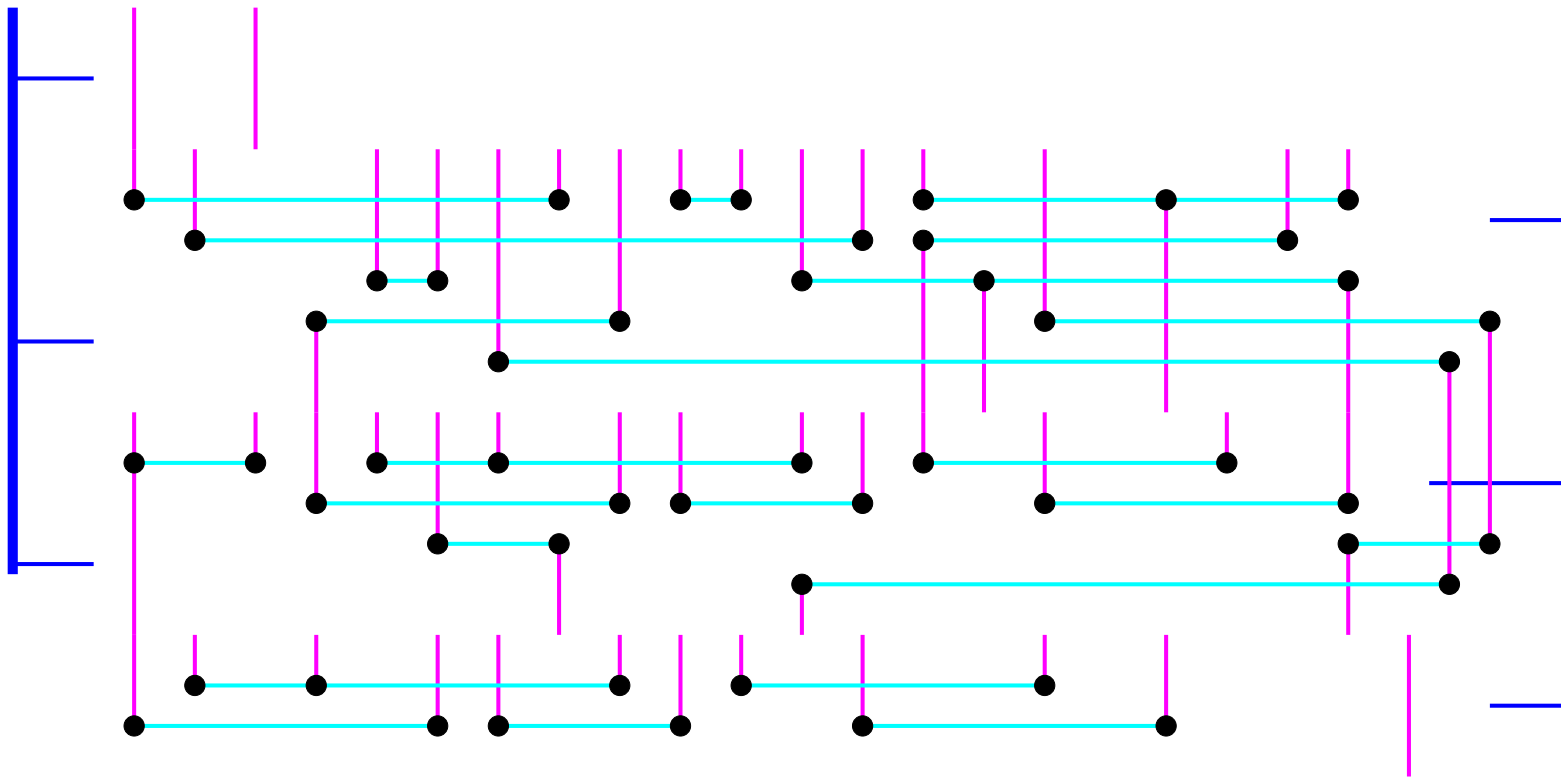
Routing



In the routing channels between the cells we route metal1 horizontally and metal2 vertically.

Standard Cell Design

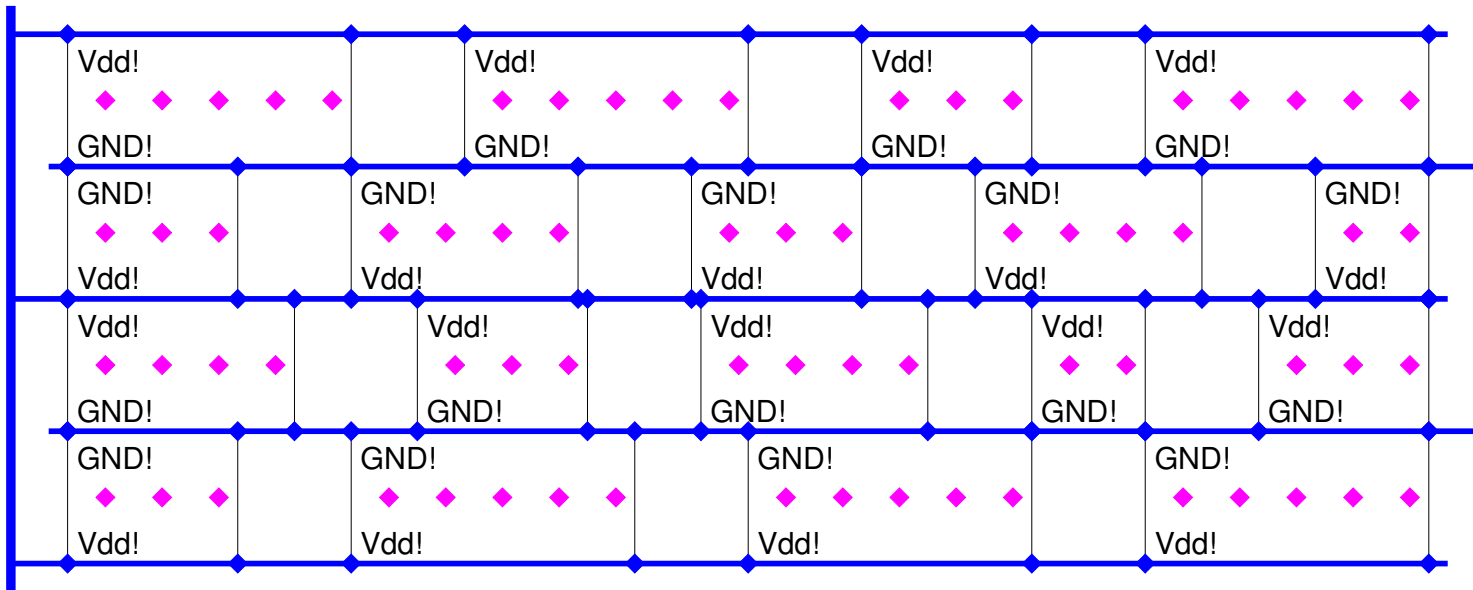
More Metal Layers



With this approach we can route safely over the cell to the specified pins leading to much smaller gaps between cell rows.

Standard Cell Design

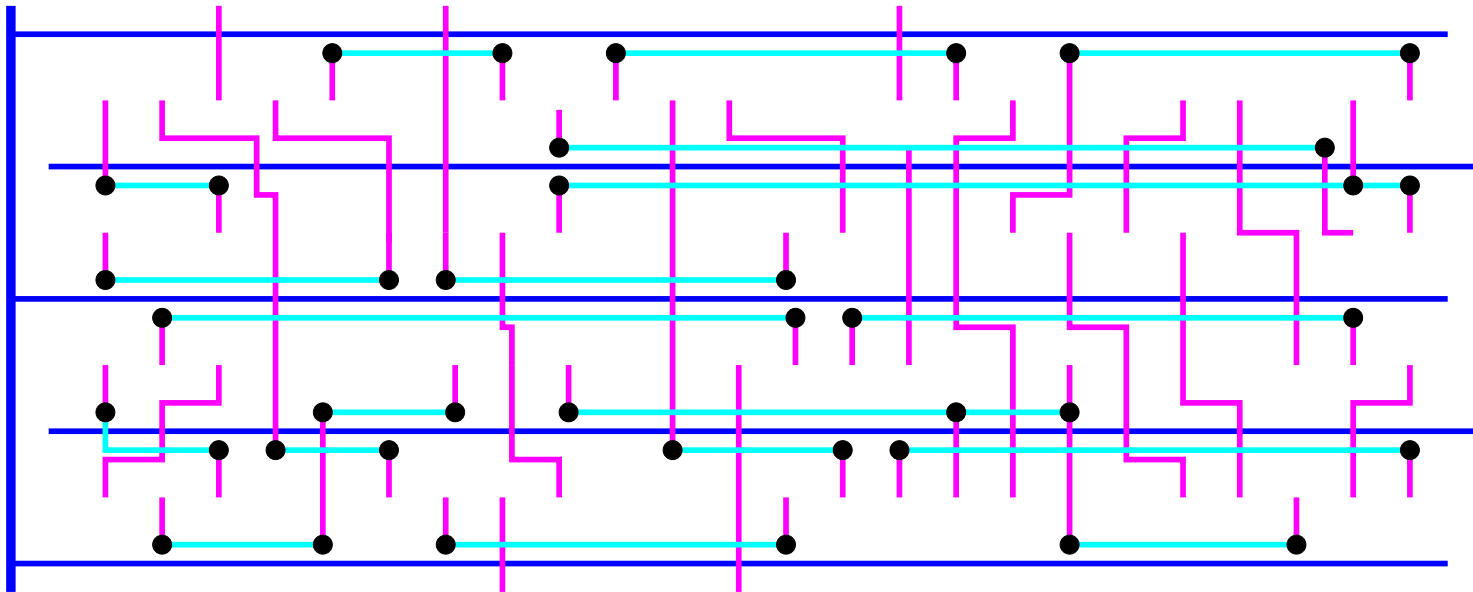
Alternative Placement Style



By flipping every second row it may be possible to eliminate gaps between rows. N-wells are merged and power or ground rails are shared. This approach is normally associated with sparse rows and non channel based routing algorithms.

Standard Cell Design

Alternative Placement Style



By flipping every second row it may be possible to eliminate gaps between rows. N-wells are merged and power or ground rails are shared. This approach is normally associated with sparse rows and non channel based routing algorithms.