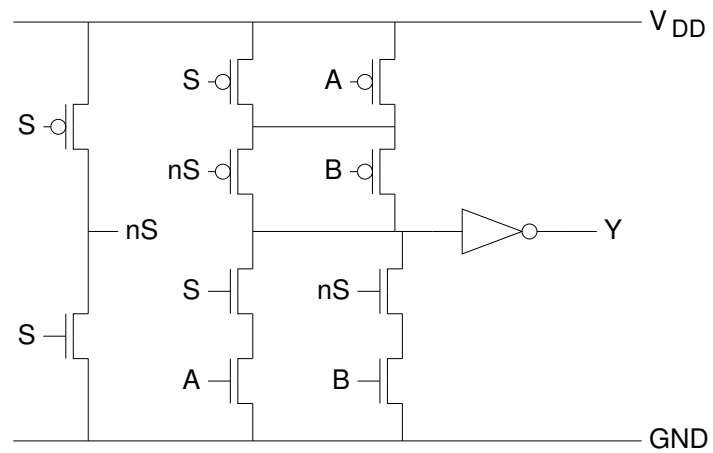


Circuit diagrams

Draw a circuit diagram¹

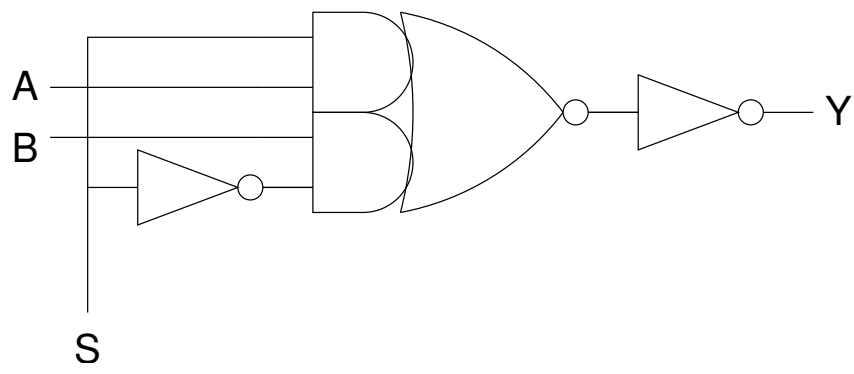


¹also known as:

- circuit schematic diagram
- schematic diagram
- circuit schematic
- schematic

Circuit diagrams

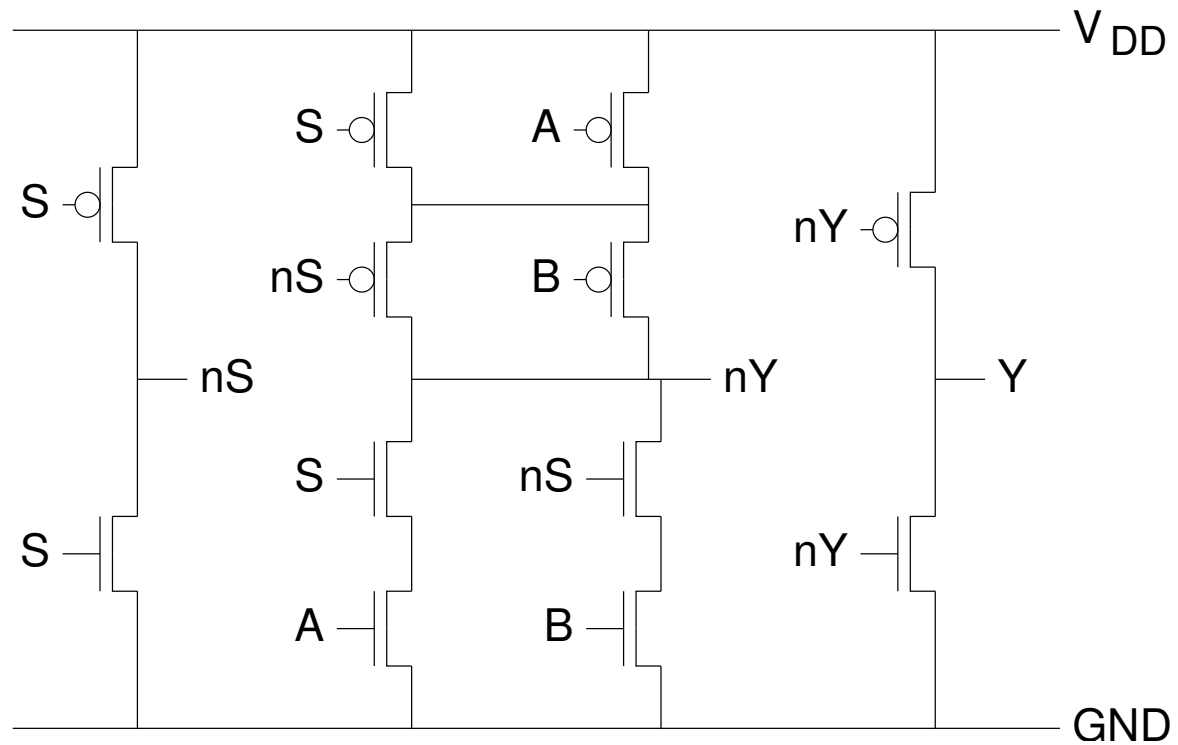
Draw a gate level circuit diagram



a circuit diagram where all the elements are gates

Circuit diagrams

Draw a transistor level circuit diagram

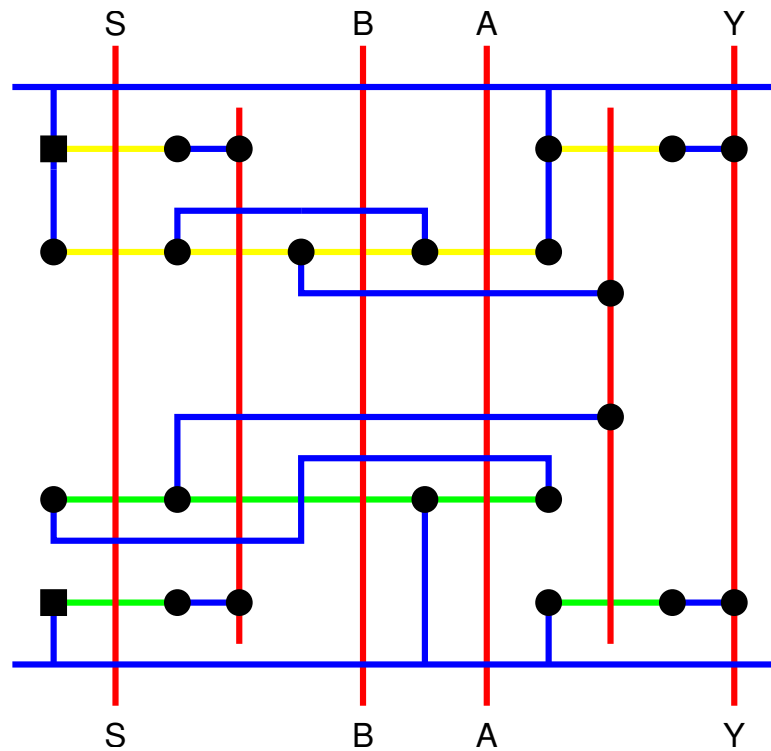


a circuit diagram where all the elements are transistors

Layout diagrams

Draw a stick diagram

Derive² a stick diagram

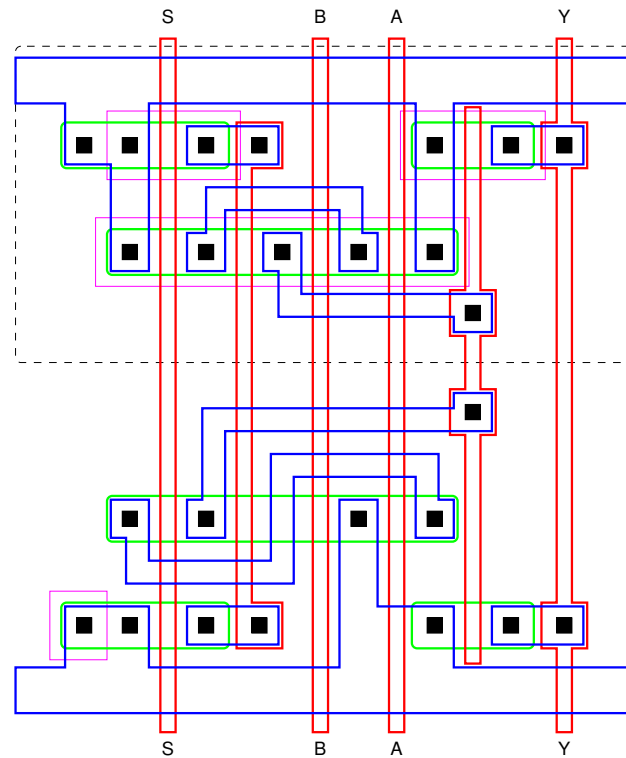


²use of *derive* acts as a reminder to show your working

Layout diagrams

Draw a mask level layout

Sketch³ a mask level layout

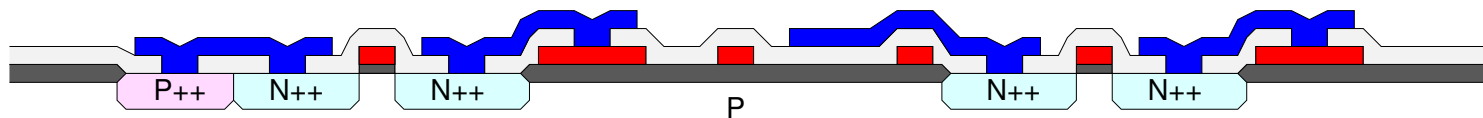


³use of *sketch* acts as a reminder that a scale drawing is not required

Cross Sections

Draw a cross-sectional diagram

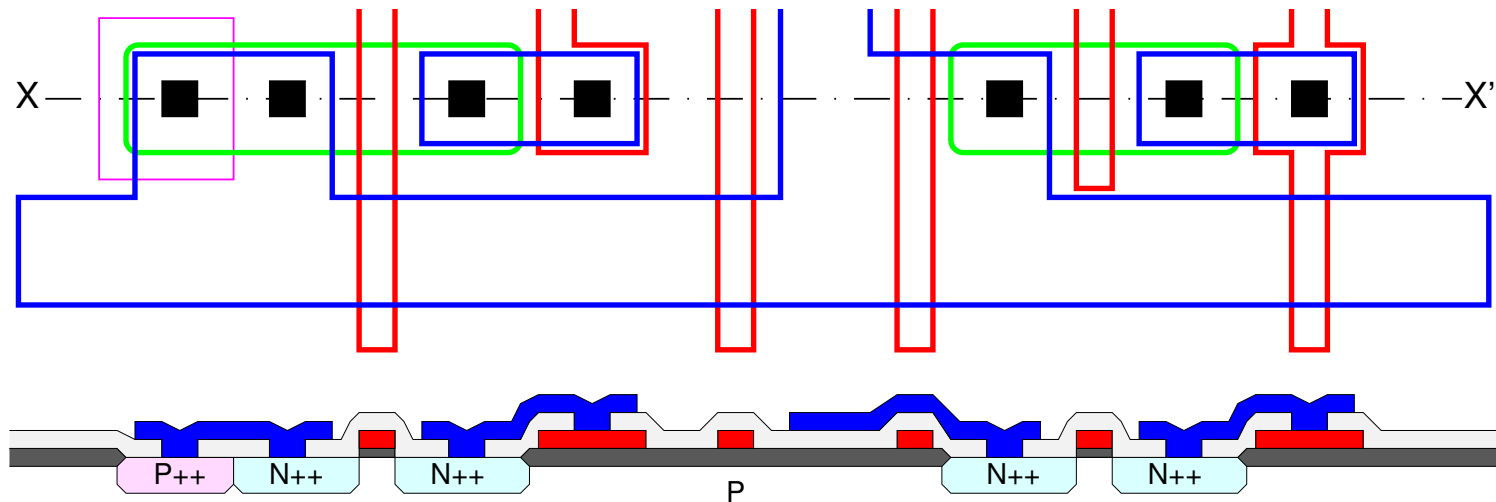
Draw a diagram showing a cross section through ...



Cross Sections

Draw a cross-sectional diagram

Draw a diagram showing a cross section through ...



Other Hints

- Remember coloured pencils
- Use standard colour codes (or give a key)
 - colour codes for stick diagrams do not relate one-to-one with those for masks
- Diagrams should be unambiguous
 - remember basic rules for crossing and connecting wiring
- Don't waste time on scale drawings if a simple sketch will suffice