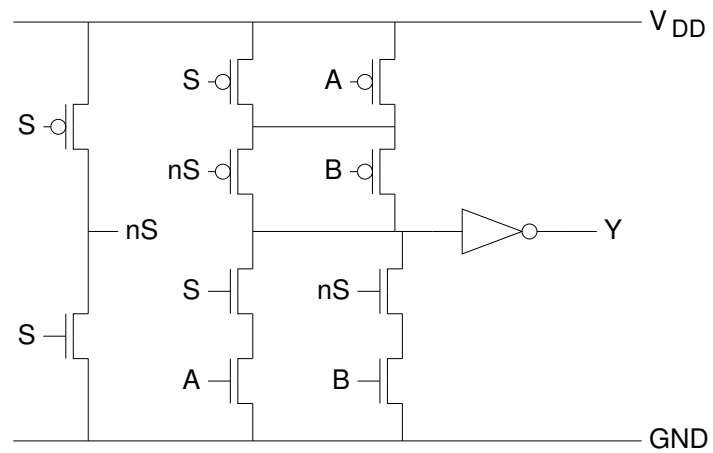


# Circuit diagrams

---

Draw a circuit diagram<sup>1</sup>



---

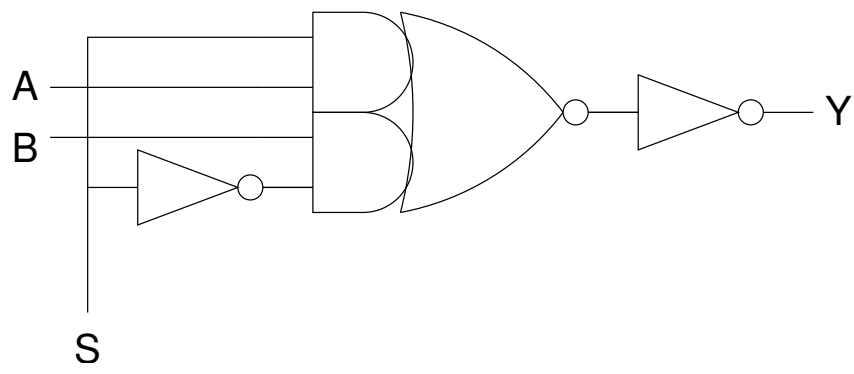
<sup>1</sup>also known as:

- circuit schematic diagram
- schematic diagram
- circuit schematic
- schematic

# Circuit diagrams

---

Draw a gate level circuit diagram

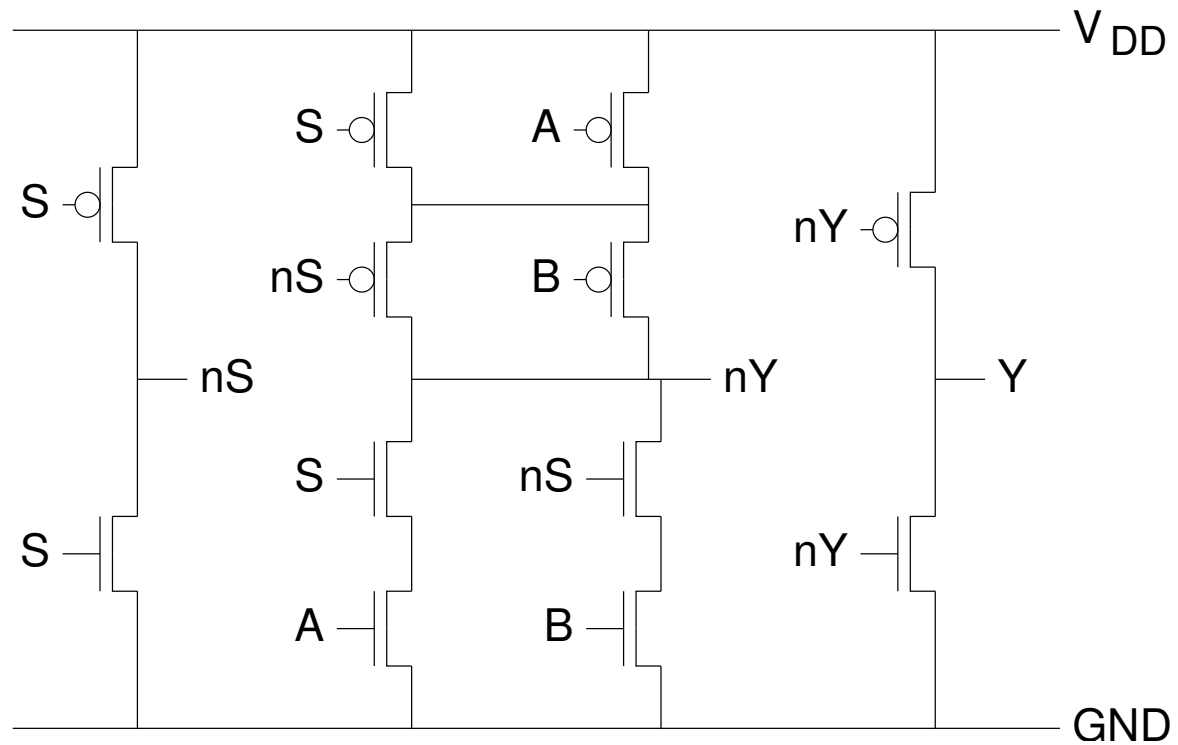


a circuit diagram where all the elements are gates

# Circuit diagrams

---

Draw a transistor level circuit diagram



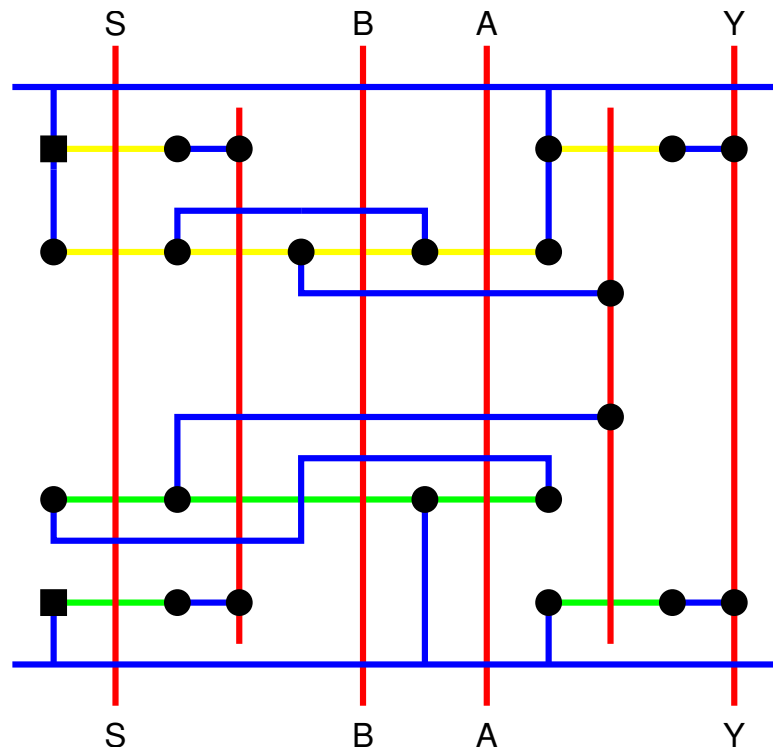
a circuit diagram where all the elements are transistors

# Layout diagrams

---

Draw a stick diagram

Derive<sup>2</sup> a stick diagram



---

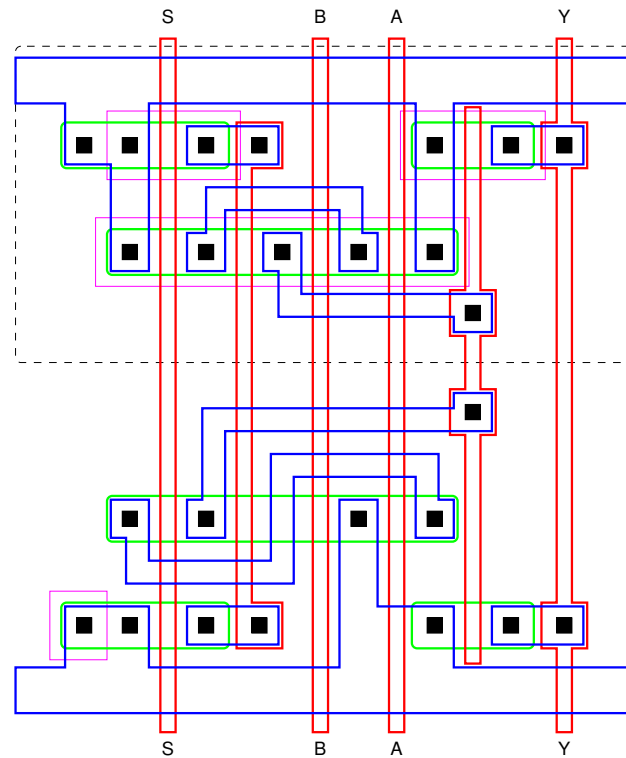
<sup>2</sup>use of *derive* acts as a reminder to show your working

# Layout diagrams

---

Draw a mask level layout

Sketch<sup>3</sup> a mask level layout



---

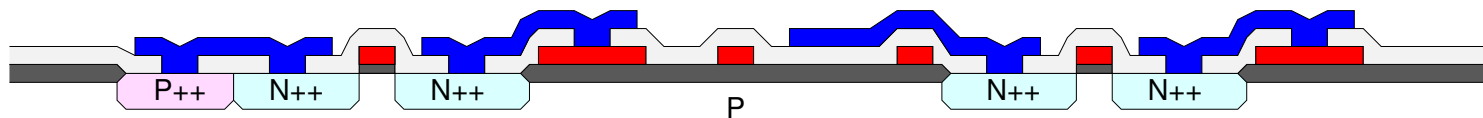
<sup>3</sup>use of *sketch* acts as a reminder that a scale drawing is not required

# Cross Sections

---

Draw a cross-sectional diagram

Draw a diagram showing a cross section through ...

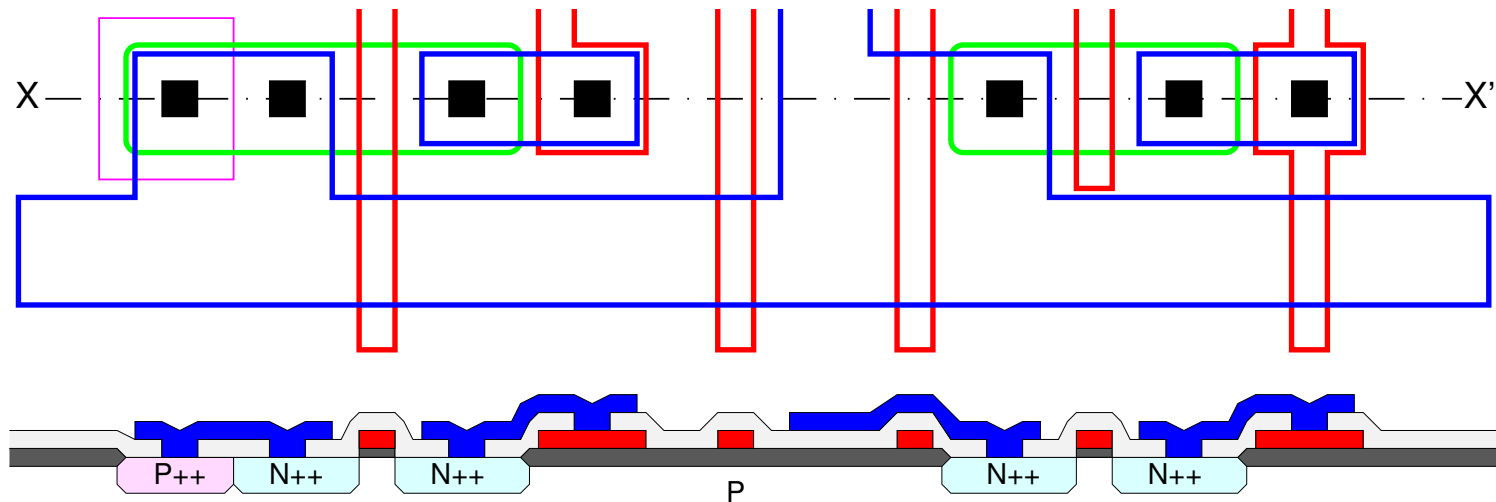


# Cross Sections

---

Draw a cross-sectional diagram

Draw a diagram showing a cross section through ...



# Other Hints

---

- Remember coloured pencils
- Use standard colour codes (or give a key)
  - colour codes for stick diagrams do not relate one-to-one with those for masks
- Diagrams should be unambiguous
  - remember basic rules for crossing and connecting wiring
- Don't waste time on scale drawings if a simple sketch will suffice