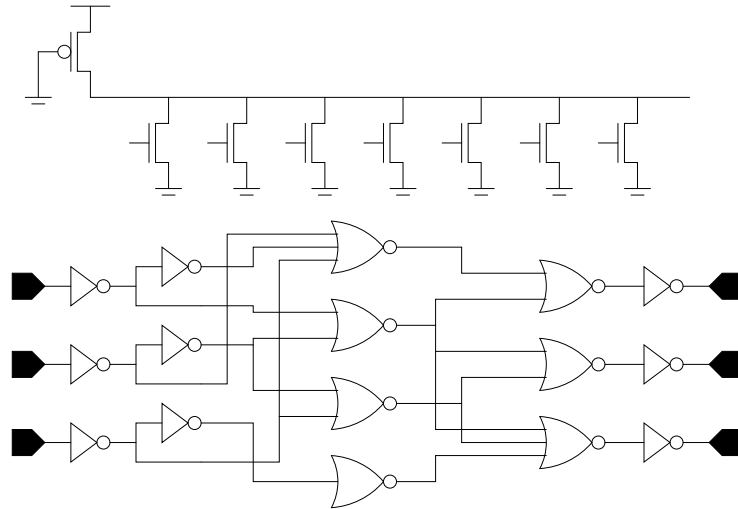
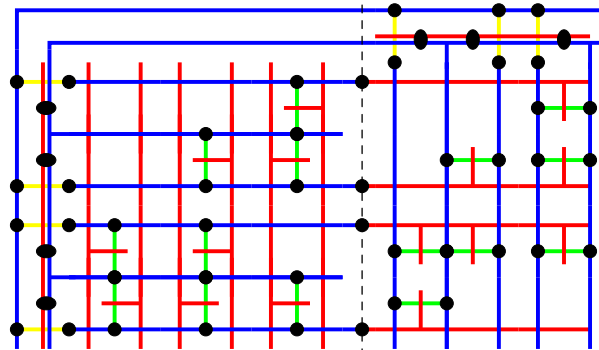


## PLA and ROM



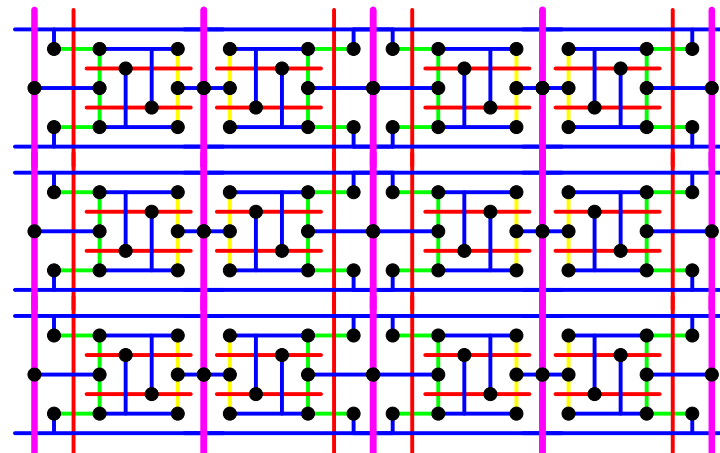
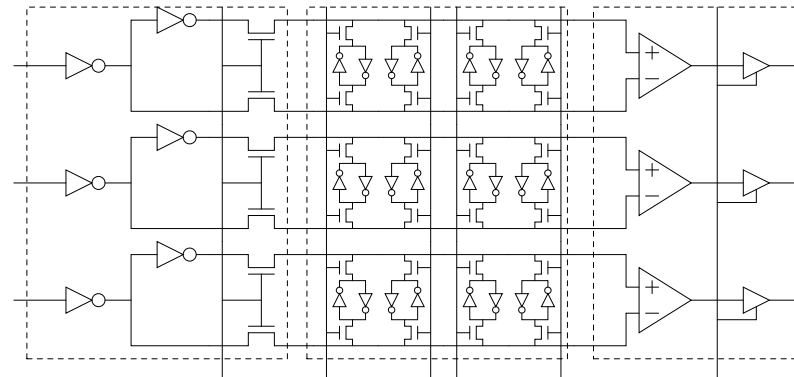
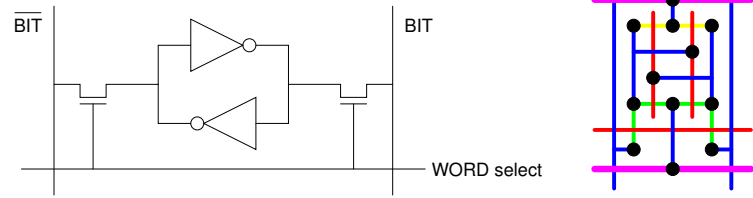
AND Plane

OR Plane



ROM is PLA with  
fixed AND (decoder) plane  
programmable OR (data) plane

## SRAM



Cells are designed to butt together in two dimensions leading to efficient layout

PLA layout efficiency will depend on the actual function implemented (e.g. number of common product terms)