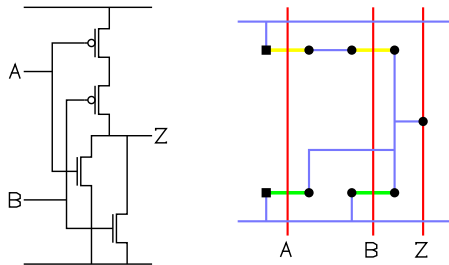


A logical approach to gate layout.

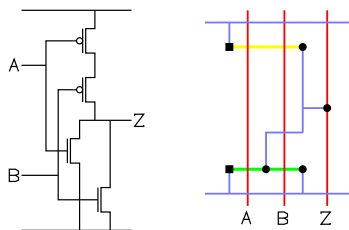
- All complementary gates may be designed using a single row of n-transistors above or below a single row of p-transistors, aligned at common gate connections.



6001

Euler Path

- For the majority of these gates we can find an arrangement of transistors such that we can butt adjoining transistors.
 - Careful selection of transistor ordering.
 - Careful orientation of transistor source and drain.
- Referred to as *line of diffusion*.



6002

Finding an Euler Path

Computer Algorithms

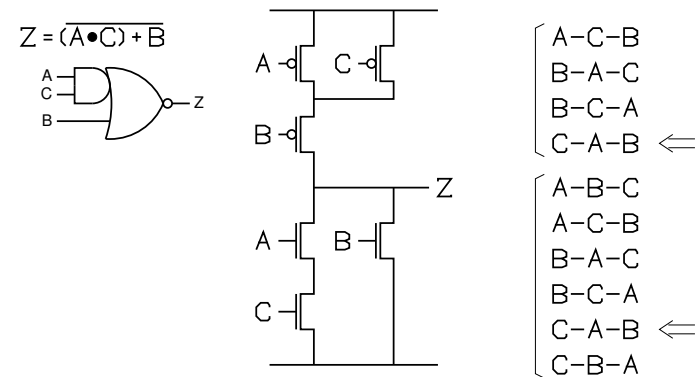
- It is relatively easy for a computer to consider all possible arrangements of transistors in search of a suitable Euler path. This is not so easy for the human designer.

One Human Algorithm

- Find a path which passes through all n-transistors exactly once.
- Express the path in terms of the gate connections.
- Is it possible to follow a similarly labelled path through the p-transistors?
 - Yes - you've succeeded.
 - No - try again (you may like to try a p path first this time).

6003

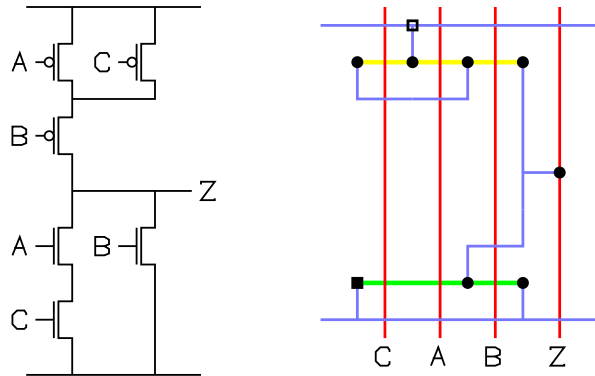
Finding an Euler Path



Here there are four possible Euler paths.

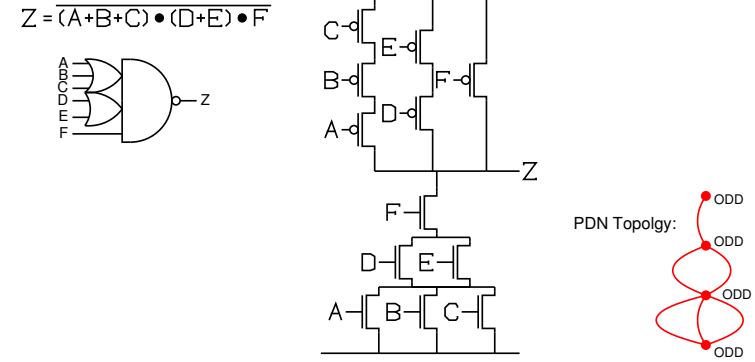
6004

Finding an Euler Path



6005

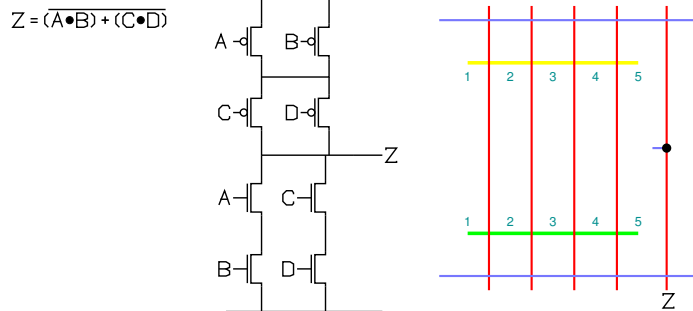
Finding an Euler Path



No possible path through n-transistors!

6007

Euler Path Example

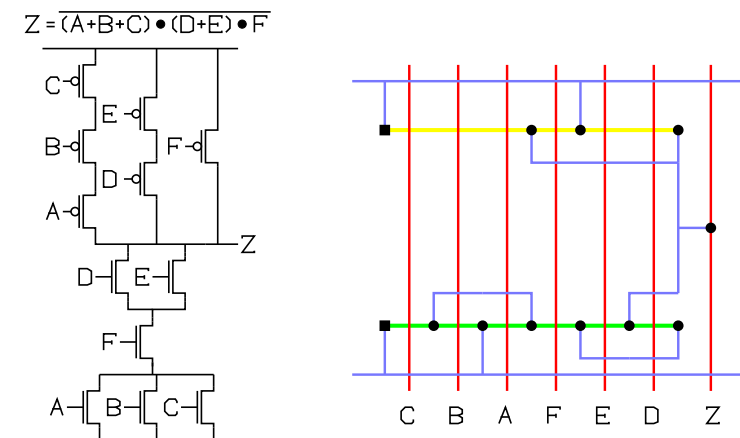


1. Find Euler path
 2. Label poly columns
 3. Route power nodes
 4. Route output node
 5. Route remaining nodes
 6. Add taps¹ for PMOS and NMOS
- A combined contact and tap, ■, may be used only where a power contact exists at the end of a line of diffusion. Where this is not the case a simple tap, -■-, should be used.

¹ tap is good for about 6 transistors – insufficient taps may leave a chip vulnerable to latch-up

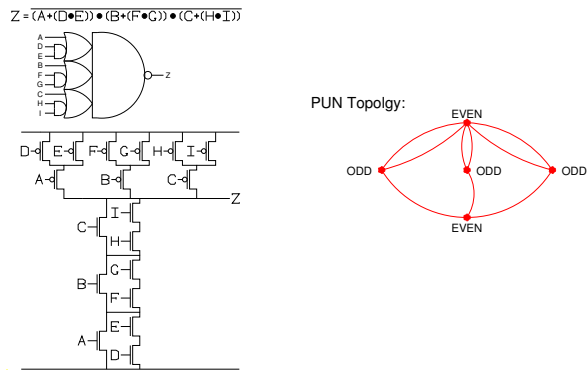
6006

Finding an Euler Path



6008

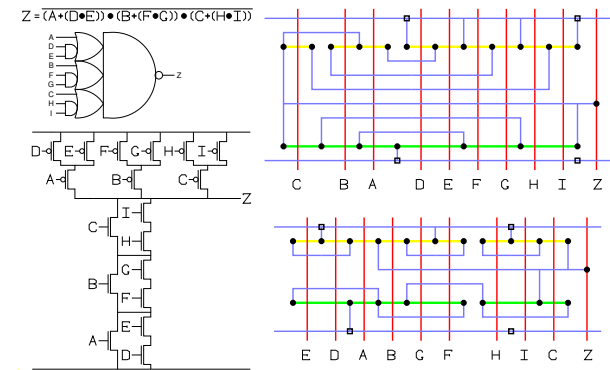
Finding an Euler Path



- No possible path through p-transistors.
- No re-arrangement will create a solution!

6009

Philosophers vs. Engineers



- The philosopher is happy to prove that there is no Euler path to be found.
- The engineer will use *partial Euler paths* to reach the best solution.

6010