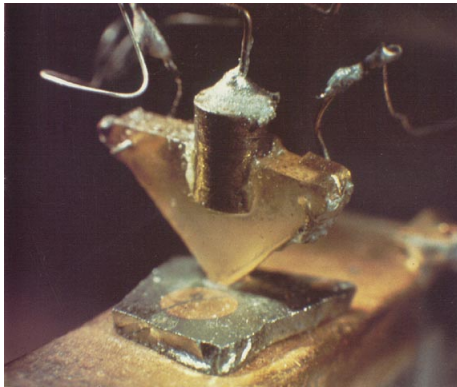
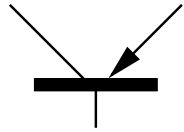


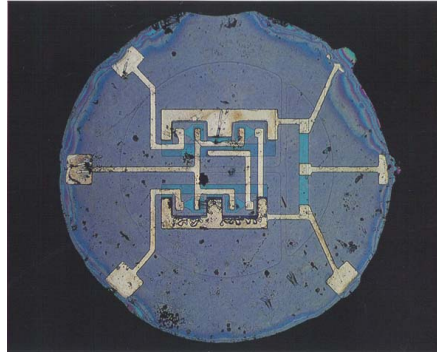
1947 Point Contact transistor



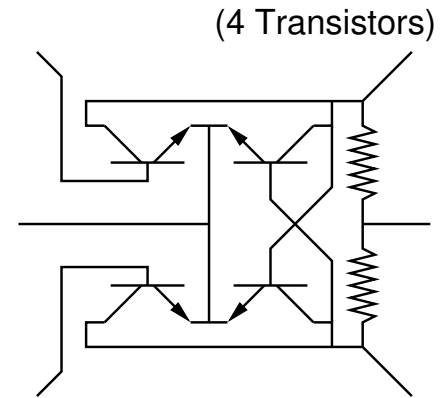
Source: Bell Labs



1961 Fairchild Bipolar RTL RS Flip-Flop

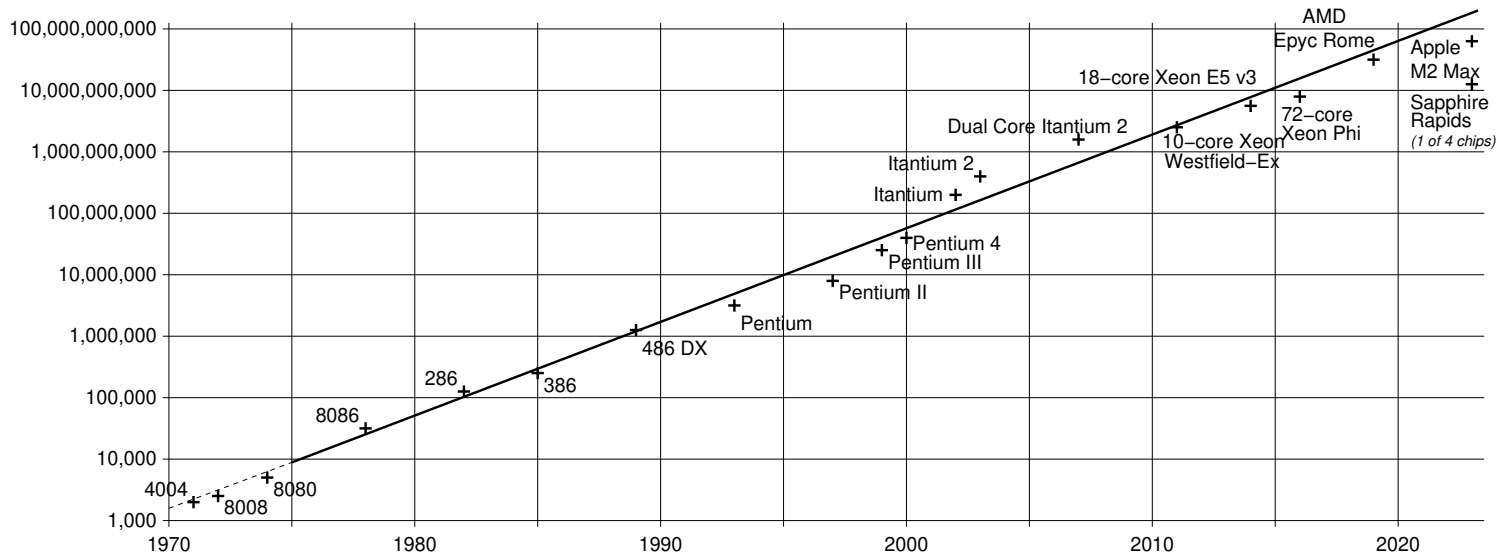


Source: Fairchild



Moore's Law (1965) Number of components has doubled every year and will continue to do so until 1975

Moore's Law (1975) Number of components will double every two years



Self-fulfilling Prophecy