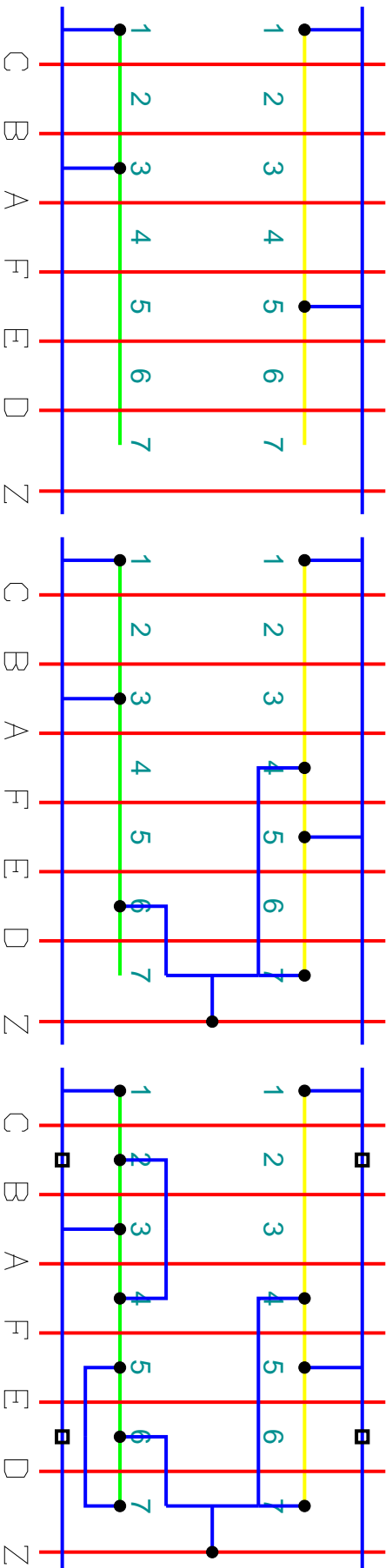
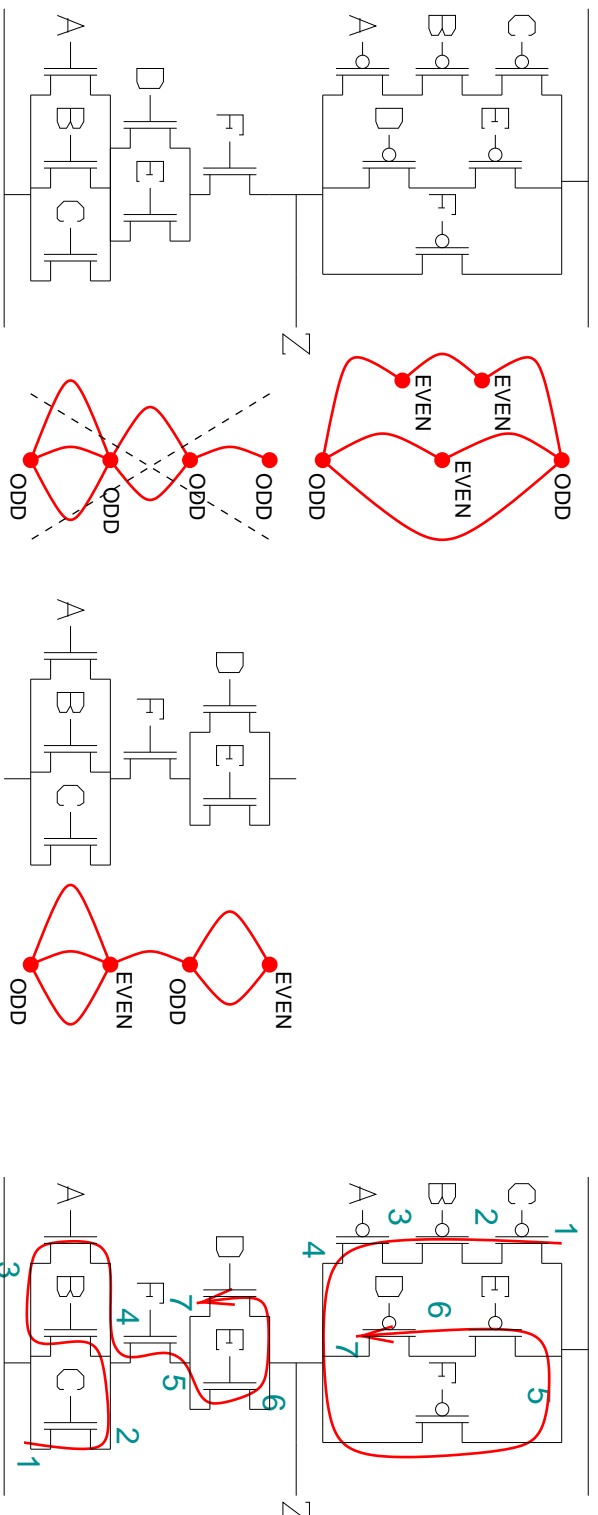


Investigation of Euler paths leads to more efficient layout*



*not all gates will support a common Euler path for both PMOS and NMOS

5000