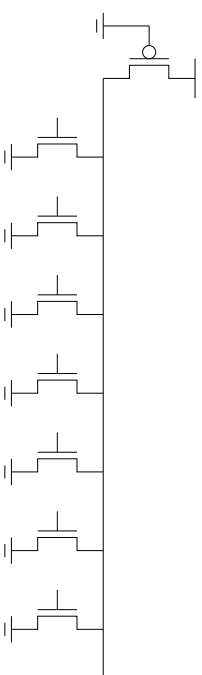
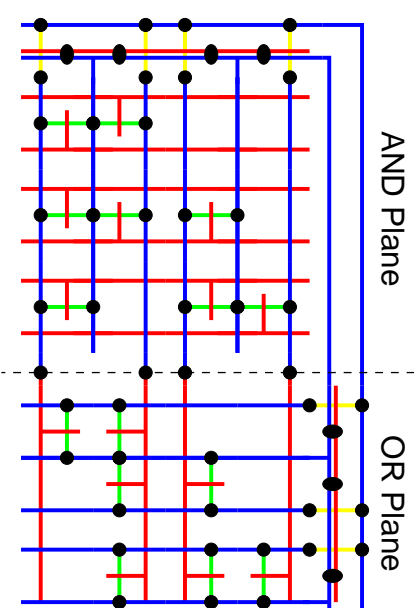
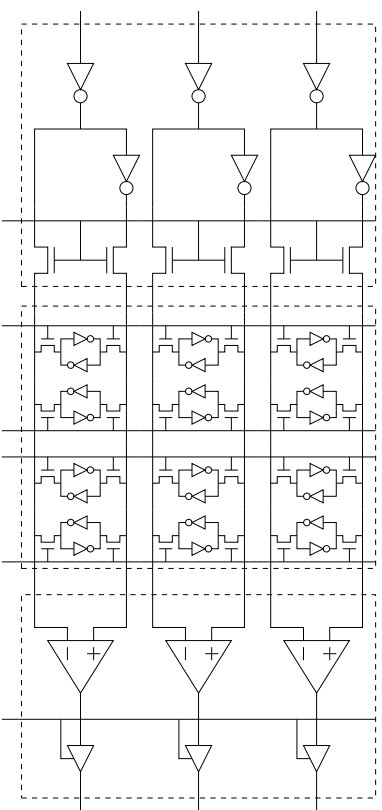
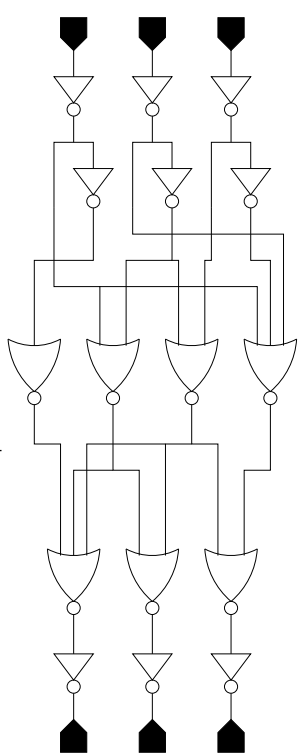
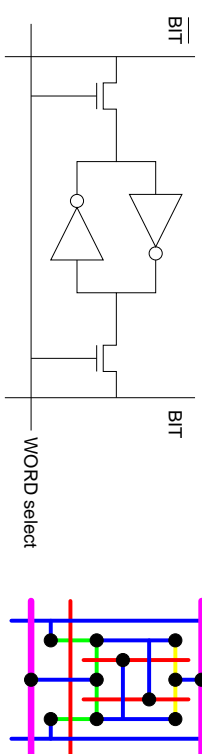


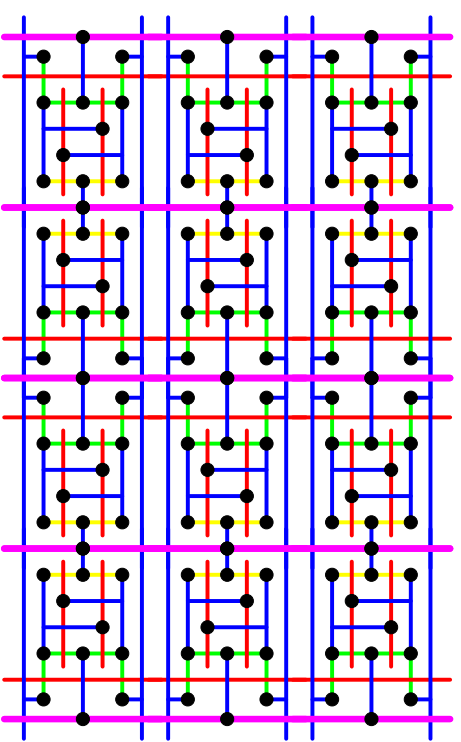
PLA and ROM



SRAM



ROM is PLA with
fixed AND (decoder) plane
programmable OR (data) plane



Cells are designed to butt together in two dimensions leading to efficient layout

PLA layout efficiency will depend on the actual function implemented (e.g. number of common product terms)