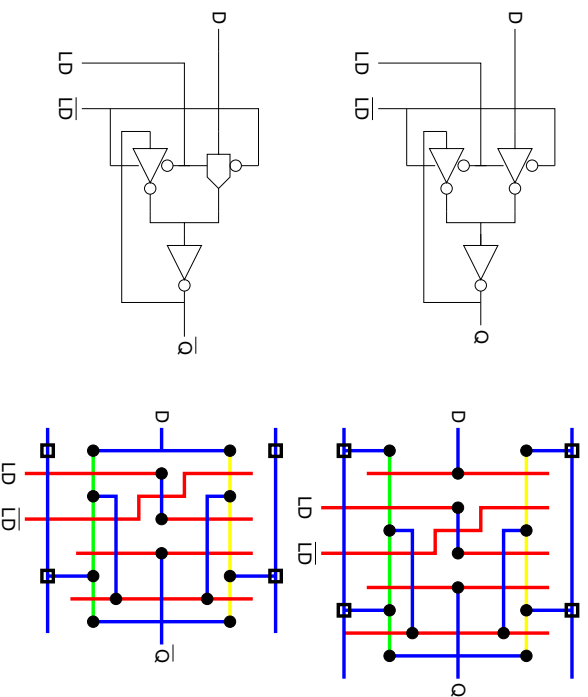
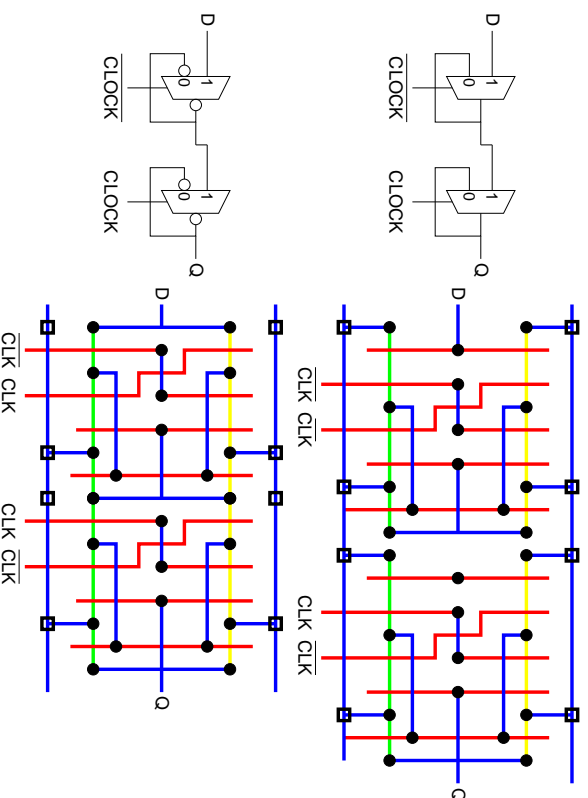


Latch

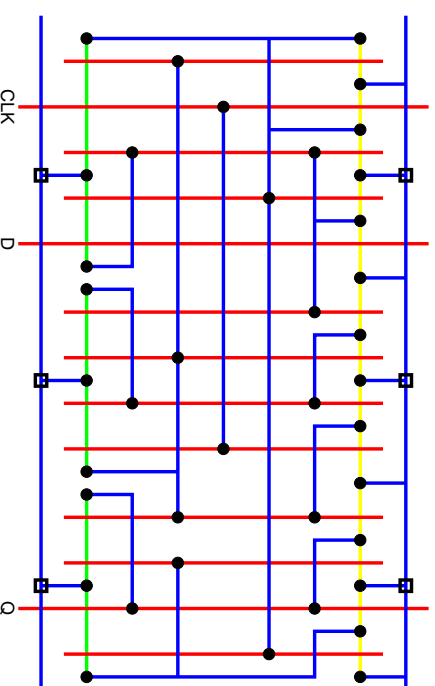
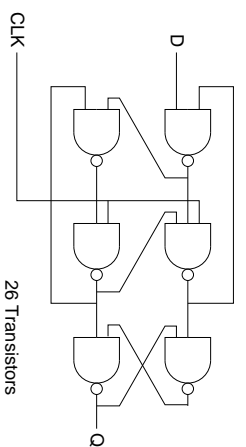


Master Slave D-Type Flip-Flop



*multiplexor based latches and flip-flops include distinctive polysilicon crossover

Edge Triggered D-Type Flip-Flop



Euler path analysis is applied creatively to these multi-gate cells - gates are often linked via the common gnd/pwr node
 Final layouts will be more complex where clock buffers, reset circuitry and metal 2 i/o are included