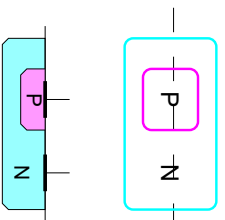
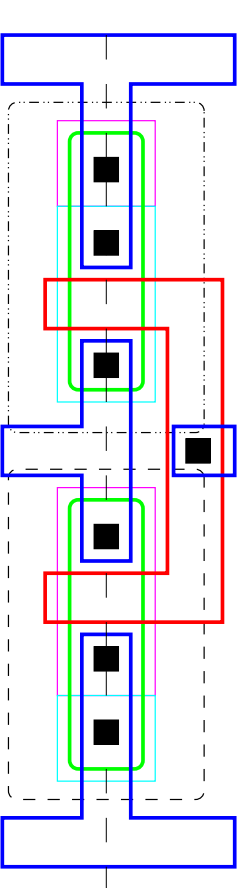


Diode

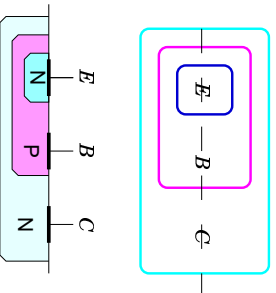


CMOS Inverter

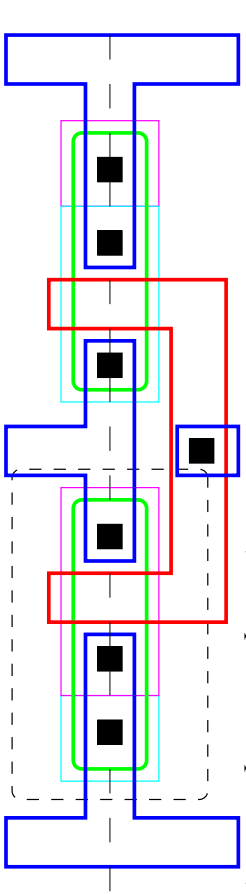


Twin Tub CMOS Process

NPN Transistor

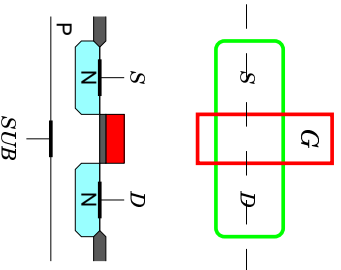


CMOS Inverter

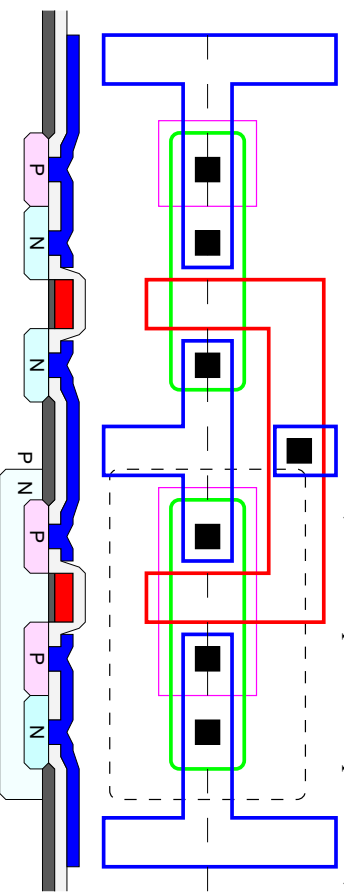


N-Well CMOS Process (with explicit N+ implant mask)

NMOS Enhancement transistor  
NMOS Process



CMOS Inverter



N-Well CMOS Process (without explicit N+ implant mask)

Features may be determined by a number of masks  
 e.g. NMOS source drain: ActiveArea AND NOT(NWell OR Poly OR Pimplant)