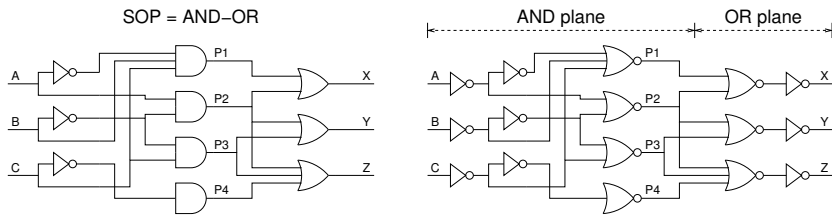


PLA structures

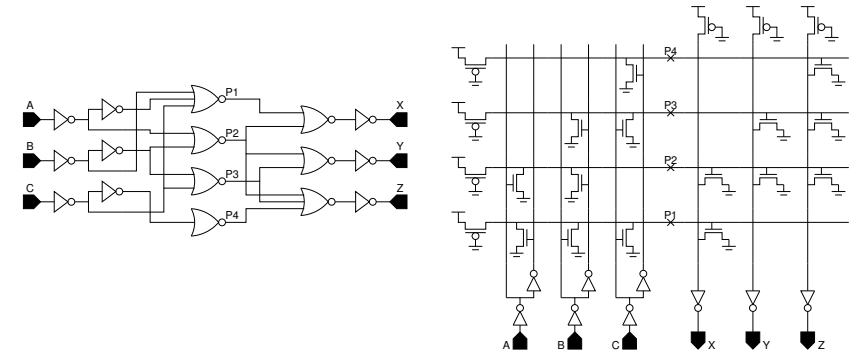
Programmable Logic Array structures provide a logical and compact method of implementing multiple SOP (Sum of Products) or POS expressions.



Most PLA structures employ pseudo-NMOS NOR gates using a P-channel device in place of the NMOS depletion load.

9001

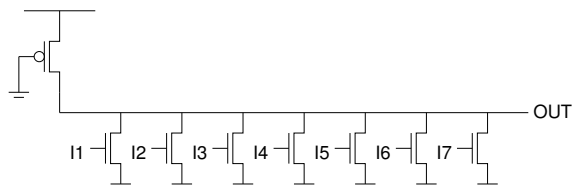
PLA structure



- A regular layout is employed, with columns for inputs and outputs and rows for intermediate expressions.

9003

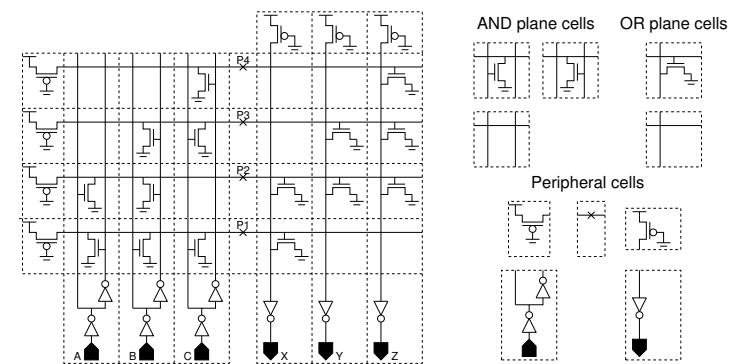
Pseudo-NMOS NOR gate



- Unlike complementary CMOS circuits, these gates will dissipate power under static conditions (since the P device is always on).
- The P and N channel devices must be ratioed in order to create the required low output voltage.
- This ratioing results in a slower gate, although there is a trade-off between gate speed and static power dissipation.

9002

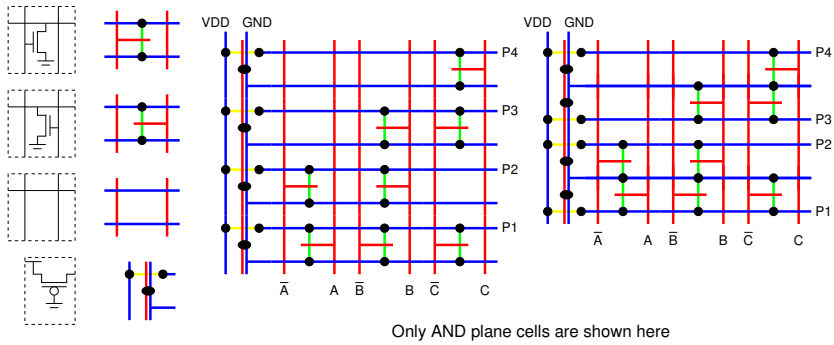
PLA structure



- Layout is simply a matter of selecting and placing rectangular cells from a limited set.

9004

PLA structure

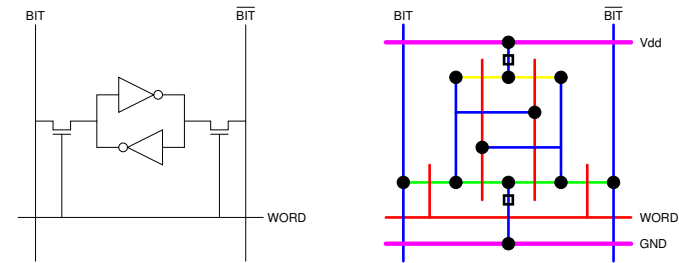


- Conversion to sticks is straight forward with opportunities for further optimization.

9005

Static RAM

- Used for high density storage on a standard CMOS process.
- Short lived conflict during write - NMOS transistors offer stronger path.
- Differential amplifiers are used for speedy read.

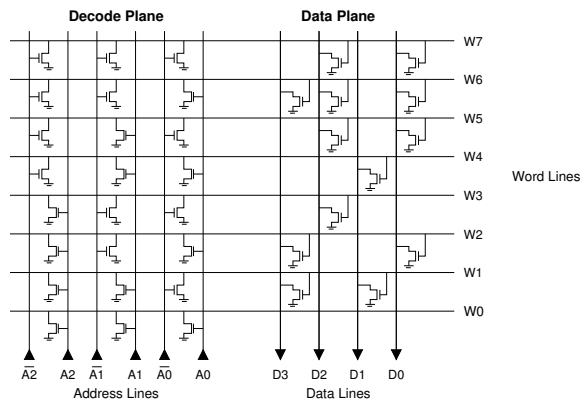


Standard 6 transistor static RAM cell.

9007

ROMs

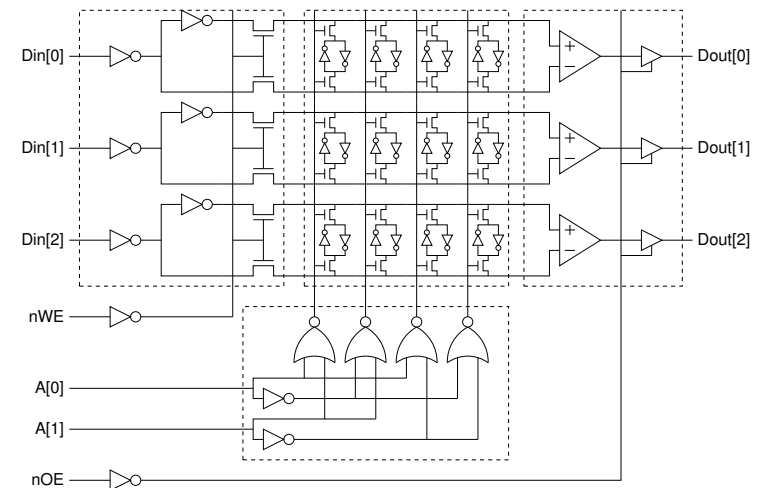
- A ROM may simply be a PLA with fixed decoder plane¹ and programmable data plane.



¹RAM structures can make use of the same decode plane.

9006

SRAM Structure



9008