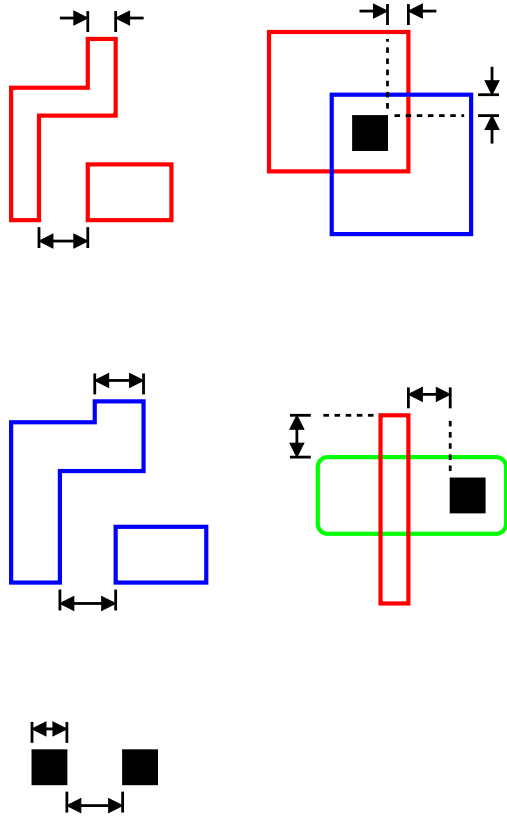
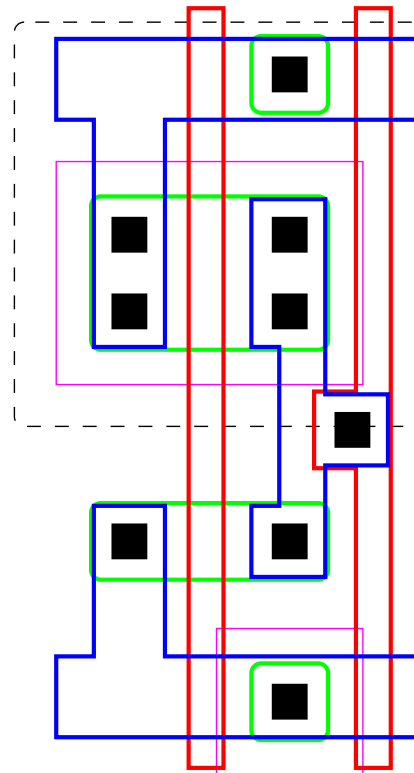


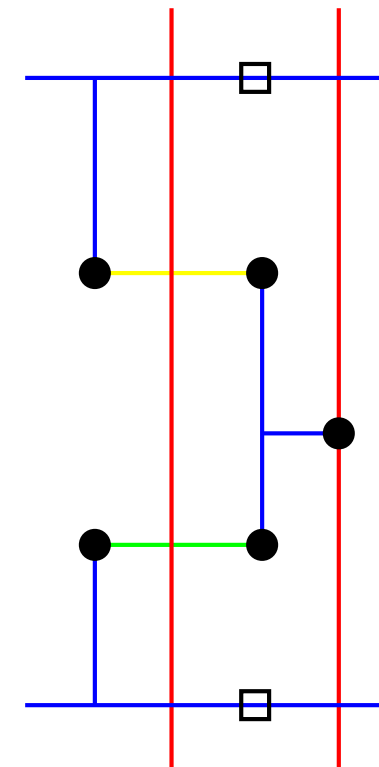
Design Rules – width, separation, overlap



Optimised Mask Layout



Equivalent Stick Diagram



- Metal
- Polysilicon
- N+
- P+
- Contact
- Tap
- Combined contact & tap