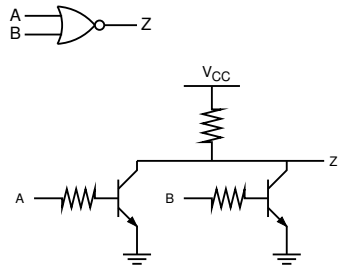
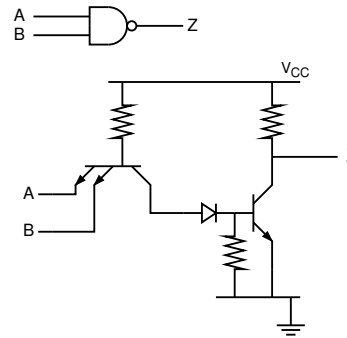


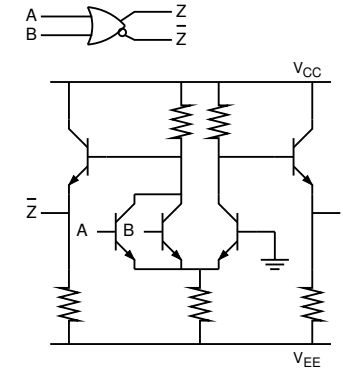
RTL NOR Gate



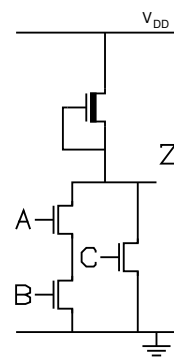
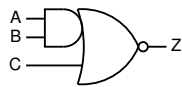
TTL NAND Gate



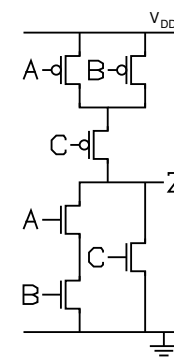
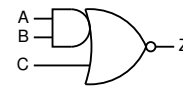
ECL OR/NOR Gate



NMOS Compound Gate



CMOS Compound Gate



- Bipolar Transistors with Resistors - MSI/LSI

RTL - NOR

TTL - NAND

ECS - OR/NOR

- MOS Transistors (no resistors) - VLSI

NMOS

CMOS - No static power!

*Both allow construction of NOR, NAND & Compound gate (always inverting)*