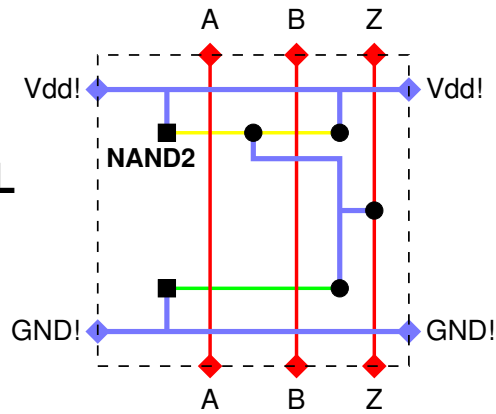
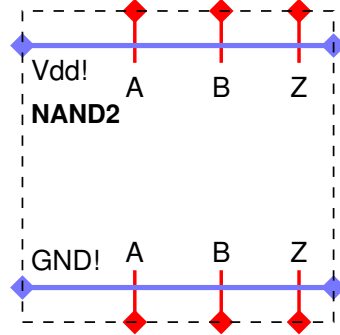


1 METAL LAYER

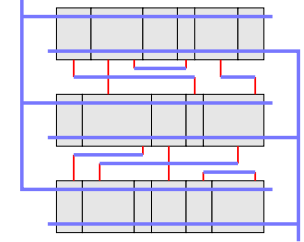
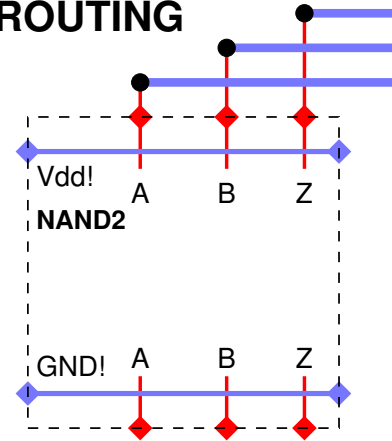
LAYOUT



ABSTRACT

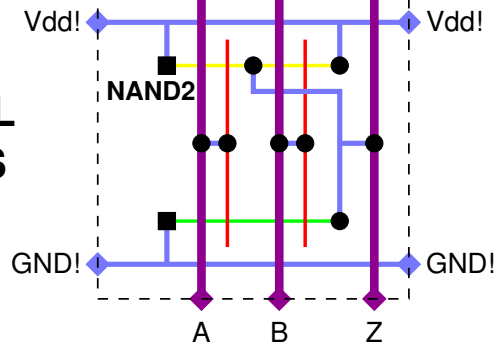


ROUTING

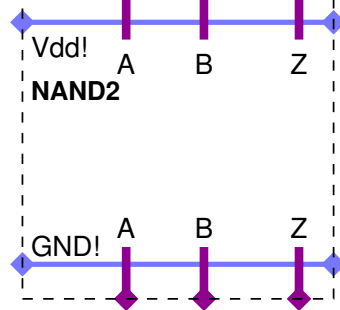


2 METAL LAYERS

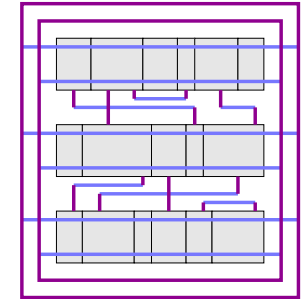
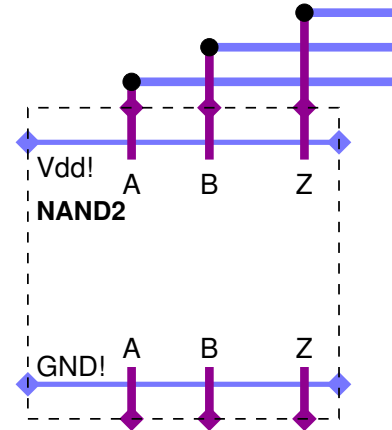
LAYOUT



ABSTRACT

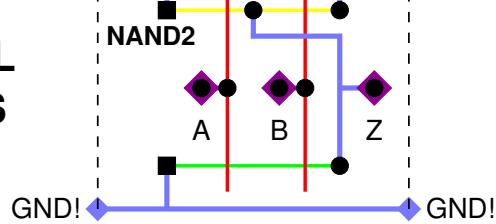


ROUTING

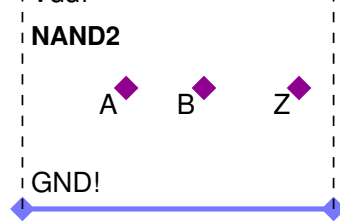


3 METAL LAYERS

LAYOUT



ABSTRACT



ROUTING

