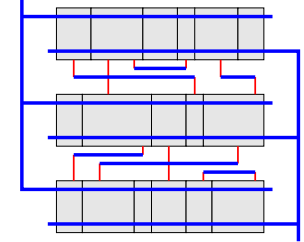
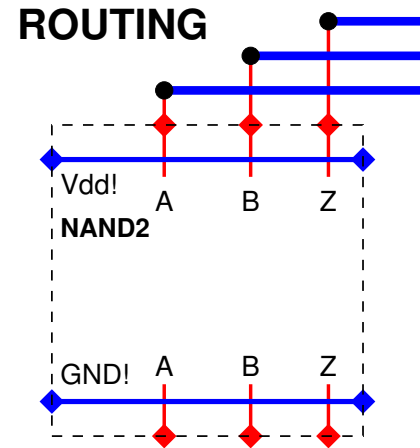
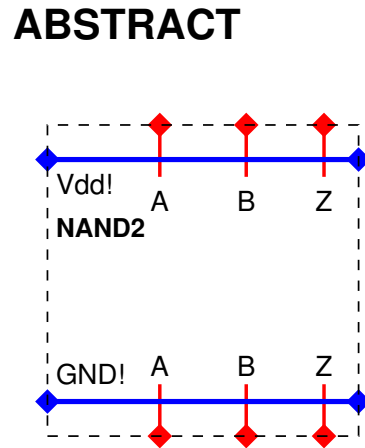
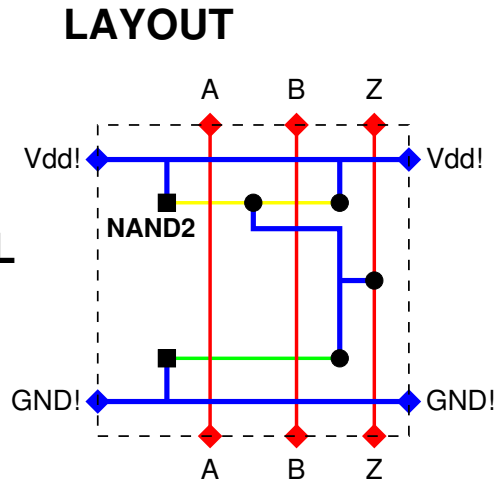
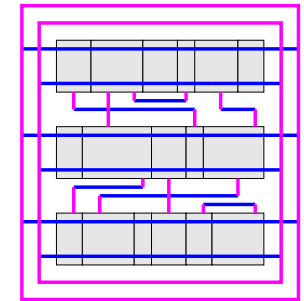
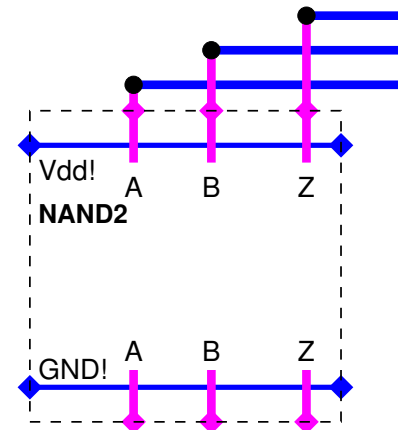
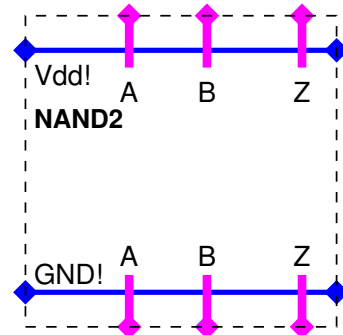
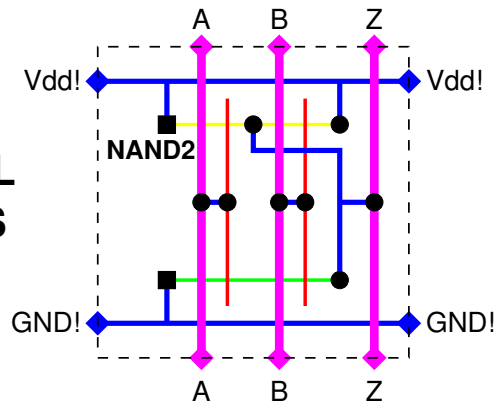


1 METAL LAYER



2 METAL LAYERS



3 METAL LAYERS

