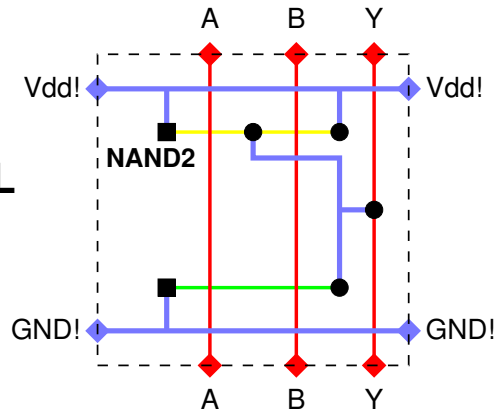
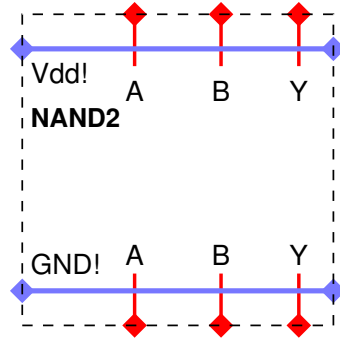


1 METAL LAYER

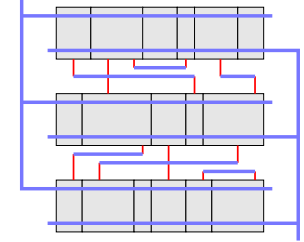
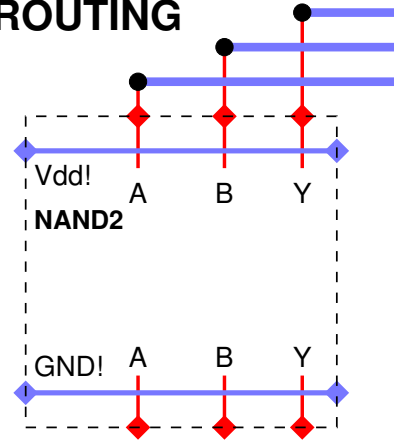
LAYOUT



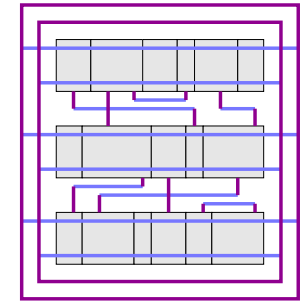
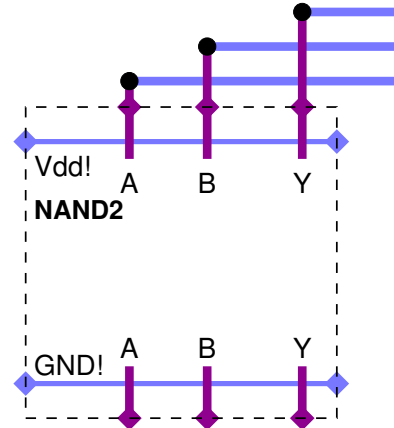
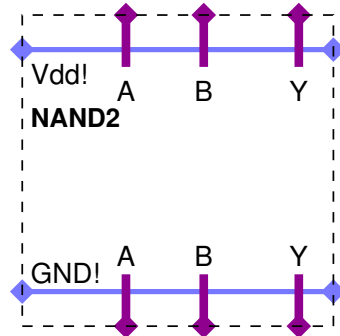
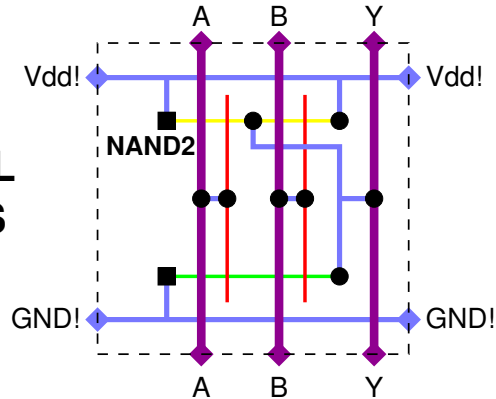
ABSTRACT



ROUTING



2 METAL LAYERS



3 METAL LAYERS

