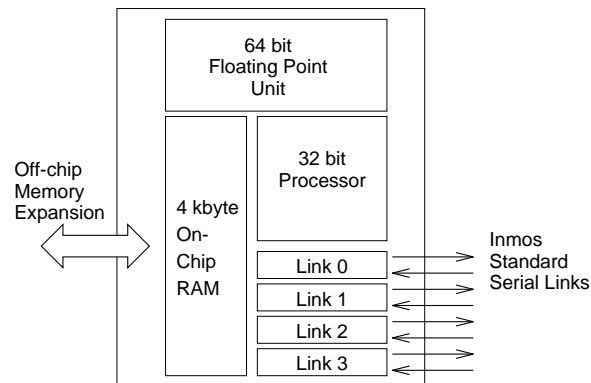


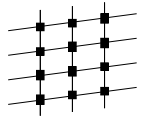
# The INMOS Transputer

---

Pioneering - A Building Block For Parallel Processors:



- *Occam Engine*
- *Virtual Concurrency*
  - Very fast Context Switch
  - Hardware Microcoded Scheduler
  - Minimum context - 6 registers only 2 of which are usually saved
- *Message Passing*
  - 4 communication links

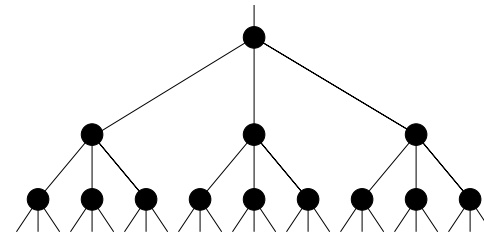
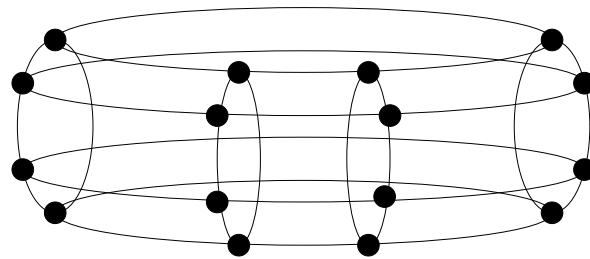
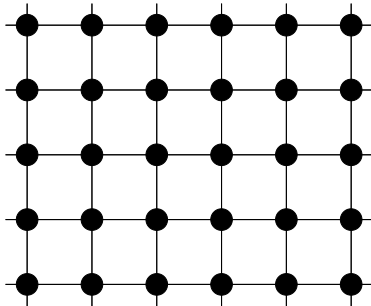


# The Transputer

---

## Networks

- Transputer has a fixed *valency* of 4.
- Hence the choice of networks is limited.



N.B. Software Packet Routing is expensive on the Transputer. To avoid mismatch between the problem and the network, general purpose machines have been tended to be reconfigurable (using programmable link switches).